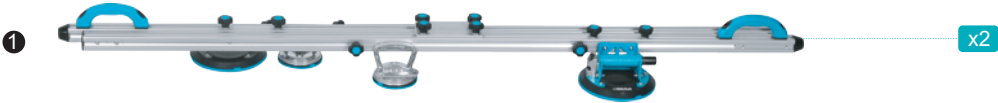




Carrier

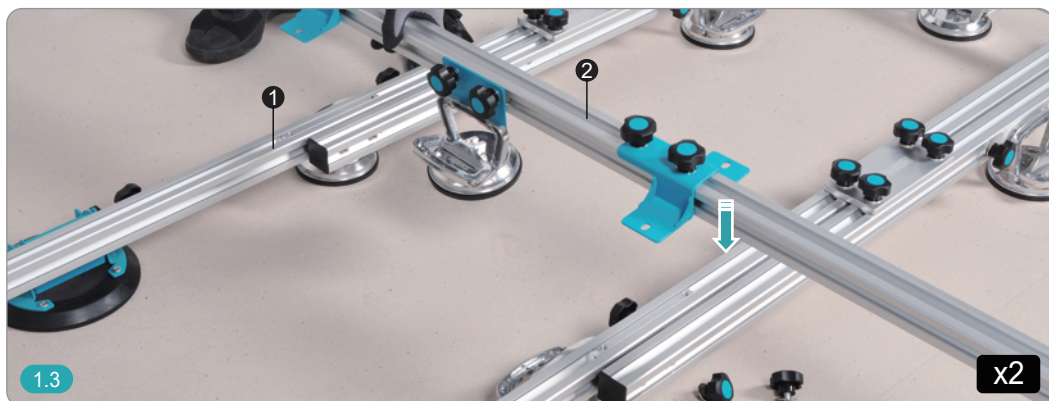
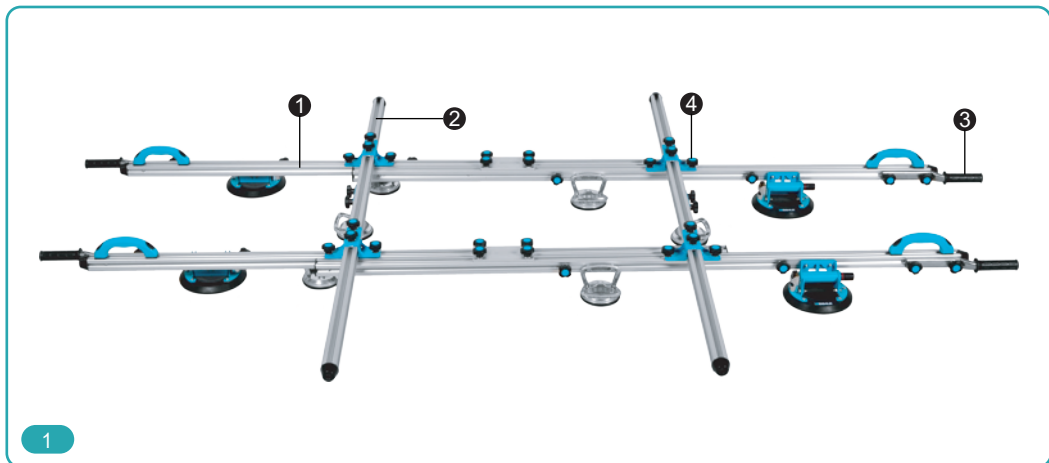
- ✓ Suitable to carry tile size upto 3.2x1.6M
- ✓ Maximum load 130 Kg (286 lbs)
- ✓ 4pcs pump cup plus 6pcs aluminium cup

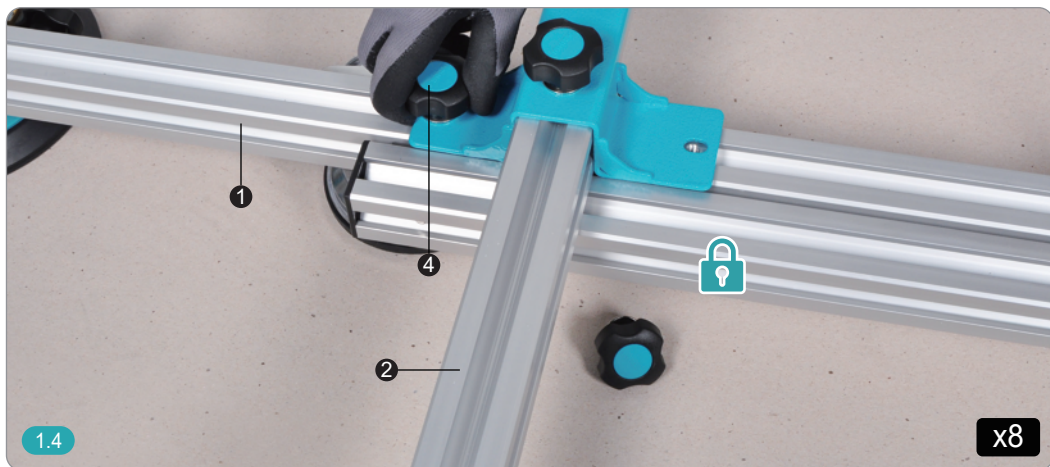




Optional







■ Protection Reusable Cover

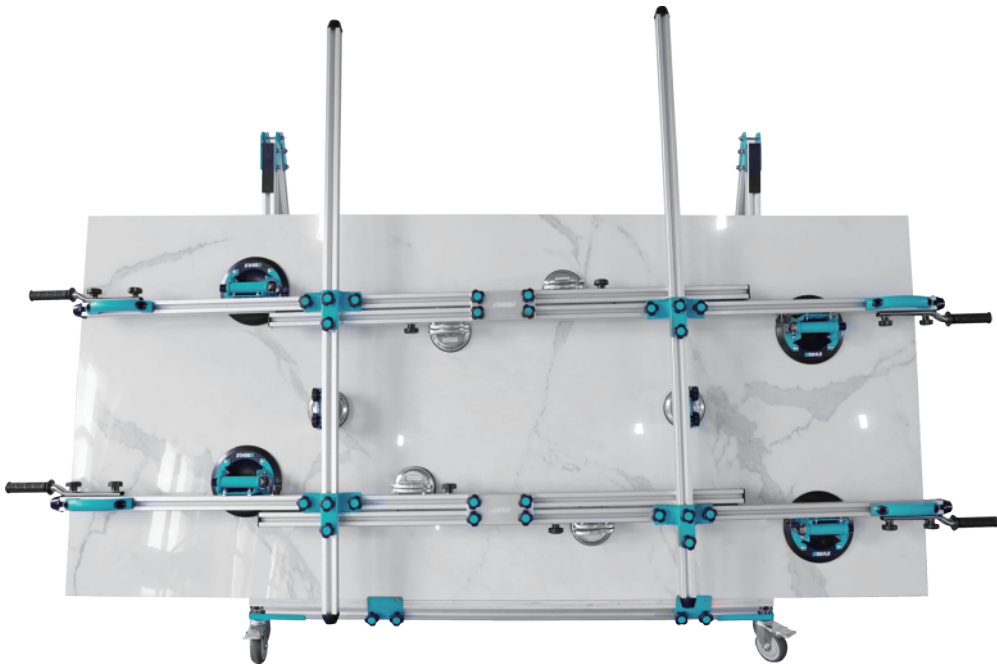


■ Pump Action



■ Release Action





OPTIONAL VERSION

 **Genesis**
For the Perfect Finish

 **BIHUI**





Genesis

For the Perfect Finish

 **BIHUI**[®]
PROFESSIONAL TILING TOOLS

